



eFlex 1000W DE System UG-GS1000/DE/E



Performance			
Lamp	Number	1	
	Watts	1000W	
Input Volts	120V	208V	240V
Input Current	9.30A	5.10A	4.60A
Input Power	1085W	1060W	1055W
Min Power Factor	0.99		
THD	<10%		
Crest Factor	<1.7		

Physical		
Case Length	244.5mm	9.75"
Case Width	179mm	7.25"
Height	105mm	4.50"
Weight	3.8kg	9.0lbs

Dimming Type						
Gear	600	750	825	1000	1150	EXT

1. External control: 0-10V Master Controller

Protections

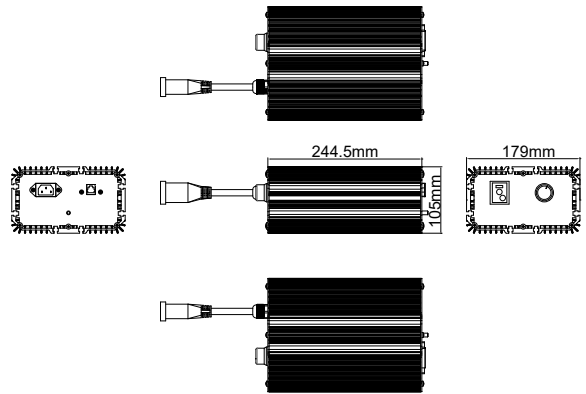
1. End of Lamp Life (EOL) Protection.
2. Short circuit protection.
3. Open circuit protection.
4. Ignition failure protection.
5. Thermal protection.
6. Tree color status LED advanced status indication and status history.
7. Suitable for 0-10V Master Controller.
8. Total control range 60-115%.

Installation & Application Notes

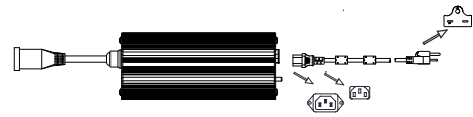
1. Max. allowable case temperature: 75°C/167°F.
2. Ambient temperature: -20 ~ +40°C/-4 ~ +104°F.
3. Ignition voltage is 5kV.
4. Max. humidity: 95%.

Performance Requirements	
Rated mains voltage	120-240V
Voltage range (+/-10%)	108-264V
Mains frequency	50/60Hz
Operation frequency	100-120kHz

Main Dimension



Wiring Diagram



Ballast Case must be Grounded

Tcase max=75°C/167°F

